

!!! WARNING !!!

Disconnect power supply before installation or maintenance. Failure to do so may result in equipment damage.

Make sure all connections are in accordance with the job wiring diagram and in accordance with national and local electrical codes. Use copper conductors only.

!!! CAUTION !!!

Use electrostatic discharge precautions (e.g., use of wrist straps) during installation and maintenance to prevent equipment damage.

Avoid locations where severe shock or vibration, excessive moisture, or corrosive fumes are present. NEMA 4X (IP65) housings are intended for outdoor use primarily to provide a degree of protection against wind-blown dust, rain, and hose-directed water.

Do not exceed ratings of this device; permanent damage not covered by warranty may result.

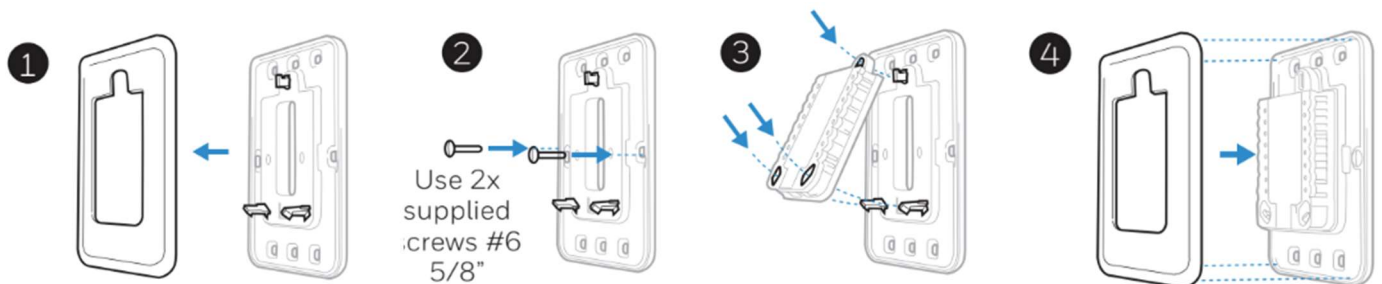
OPTIONAL COVER PLATE INSTALLATION

NOTE: If Optional Cover Plate is not required, see “UWP Mounting System Installation”

Use the Optional Cover Plate when:

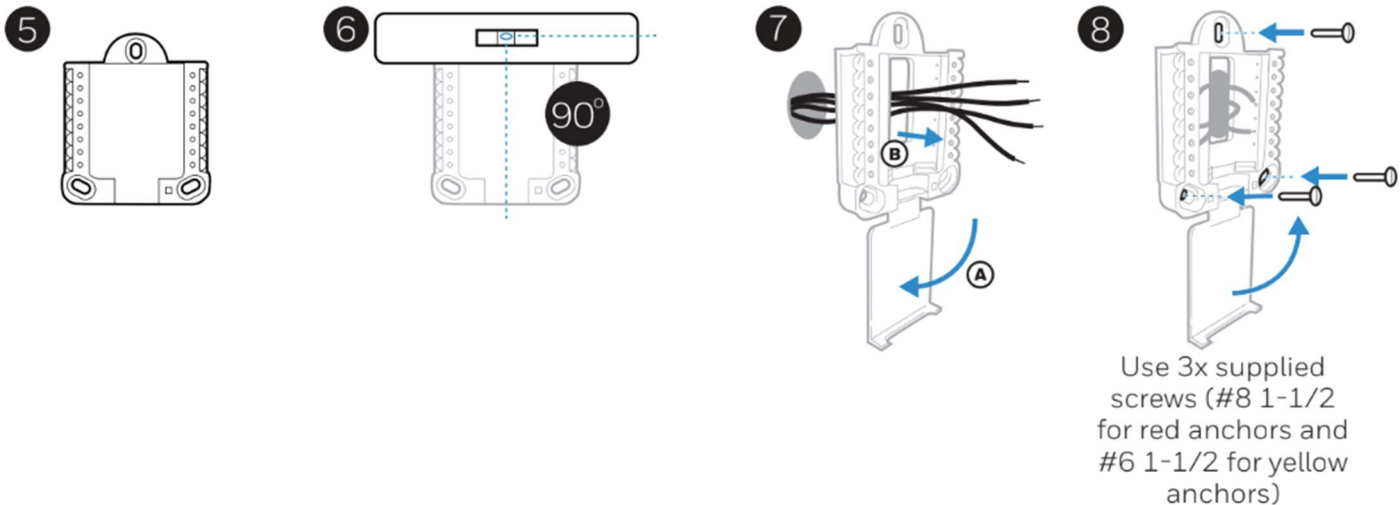
- Mounting the thermostat to an electrical junction box
- Or when you need to cover paint gap from old thermostat.

1. Separate the Junction Box Adapter from the Cover Plate. See Figure 1.
2. Mount the Junction Box Adapter to the wall or an electrical box using any of the eight screw holes. Insert and tighten mounting screws supplied with Cover Plate Kit. Do not overtighten. See Figure 2. Make sure the Adapter Plate is level.
3. Attach the UWP by hanging it on the top hook of the Junction Box Adapter and then snapping the bottom of the UWP in place. See Figure 3.
4. Snap the Cover Plate onto the Junction Box Adapter. See Figure 4.

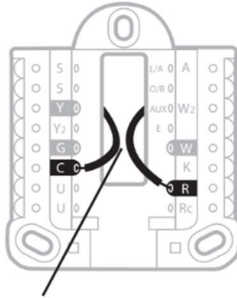


UWP MOUNTING SYSTEM INSTALLATION

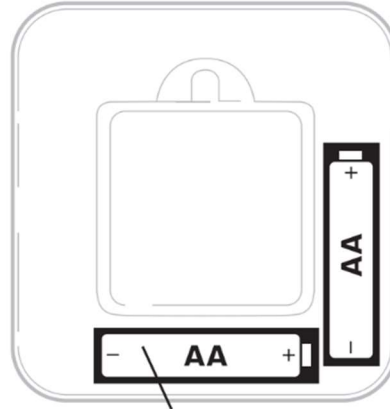
5. Before starting, turn the power off at the breaker box or switch. Open package to find the UWP. See Figure 5.
6. Position the UWP on the wall. Level and mark hole positions. See Figure 6.
7. Pull the door open and insert the wire through the wiring hole of the UWP. See Figure 7.
8. Place the UWP over the wall anchors. Insert and tighten mounting screws supplied with the UWP. Do not overtighten. Tighten until the UWP no longer moves. Close the door. See Figure 8.



POWER OPTIONS



Insert **R** and **C** wires into designated terminals for primary AC power (C terminal is optional if batteries are installed, but it is recommended). Remove wires by depressing the terminal tabs.

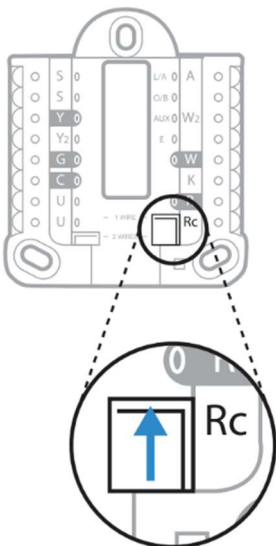


Insert AA batteries for primary or backup power.

SLIDER TABS AND WIRING DESIGNATIONS

Set R Slider Tab to the up position (1 wire).

Slider Tabs for U terminals should be left in place for T6 Pro models.



R/Rc slider tab

S	Input for wired indoor or outdoor sensors (TH6320U and TH6220U only)	L/A - A	Heat Pump fault input (Common (C) wire required for LA/A)	<input type="checkbox"/> S	<input type="checkbox"/> L/A	<input type="checkbox"/> A
S		O/B	Changeover valve	<input type="checkbox"/> S	<input type="checkbox"/> O/B	<input type="checkbox"/> W2
Y	Compressor contactor (stage 1)	AUX - W2	Auxiliary heat Heat (stage 2)	<input checked="" type="checkbox"/> Y	<input type="checkbox"/> AUX	<input type="checkbox"/> E
Y2	Compressor contactor (stage 2)	E	Emergency Heat	<input type="checkbox"/> Y2	<input type="checkbox"/> E	<input type="checkbox"/> W
G	Fan	W	Heat (stage 1)	<input type="checkbox"/> G	<input type="checkbox"/> W	<input type="checkbox"/> K
C	24VAC common. For 2 transformer systems, use common wire from cooling transformer.	K	Unused	<input type="checkbox"/> C	<input type="checkbox"/> K	<input type="checkbox"/> R
U	Unused	R	24VAC power from heating transformer*	<input type="checkbox"/> U	<input type="checkbox"/> U	<input type="checkbox"/> Rc
U	Unused	Rc	24VAC power from cooling transformer*	<input type="checkbox"/> U	<input checked="" type="checkbox"/> R	<input type="checkbox"/> Rc

Note: Not all terminals may be used, depending on the system type that is being wired. The most commonly used terminals are shaded.

* Terminal can be jumped using Slider Tab. See "Setting Slider Tabs" above.

THERMOSTAT MOUNTING

1. Push excess wire back into the wall opening.
2. Close the UWP door. It should remain closed without bulging.
3. Align the UWP with the thermostat and push gently until the thermostat snaps in place.
4. Turn the power on at the breaker box or switch.

